



# Jersey Cover Corp.

1746 Lakewood Road, Toms River, NJ 08755  
Phone: 732-286-6300 • Fax: 732-341-1465  
Outside NJ Call 1-800-634-5467  
E-MAIL: aquabrella@earthlink.net

AUGUST 2001



Manual Safety Cover  
in accordance with  
ASTM F 1346-1991

## SAFETY COVER

# Installation Instructions

*If you have purchased Jersey Cover Corp.'s Complete Cover and Installation Kit, you will enjoy many years of safe and secure service by following the instructions closely for your particular type of pool.*

**Successful installation of all covers depends on following these basic steps:**

**Locate and install brass anchors. (Pg. 1, 2, & 3)**

**Lace tension springs to cover straps. (Pg. 2)**

**Attach spring and cover assembly to anchors. (Pg. 4)**

### INSTALLING A RECTANGULAR COVER

#### Step 1

Measure your pool and your new cover. Adjust the cover for equal overlap as shown in Fig. 1. The side to side and end to end overlap may be different, but side should equal side and end should equal end. Note: The actual overlap may vary from 11" to 14" due to stretching or shrinkage during shipping.

#### Step 2

Two corner anchors are required for each corner of cover. Measure out from each side and each end 18" at 90° to cover and install these anchors first. (For anchor installation detail, see Pg. 3).

Attach springs to cover's corner straps and fasten cover over pool. Use spring installation tool as shown on Pg. 3.

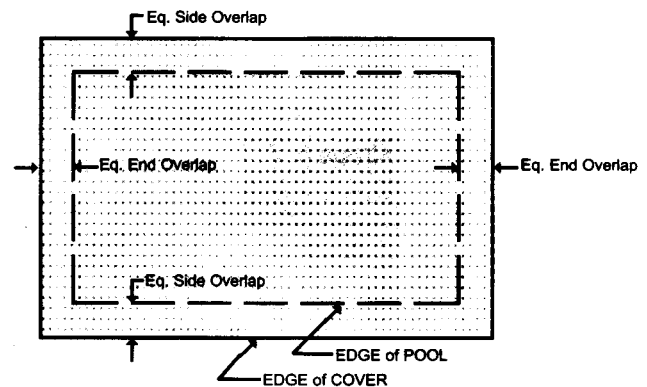


Fig. 1

Stretch strings between anchors on each side and each end as in Fig. 2. Locate deep end anchors by extending the deep end cover straps until they intersect the deep end string line being sure to extend the straps at 90° to the cover. Repeat the process for shallow end and then for each side.

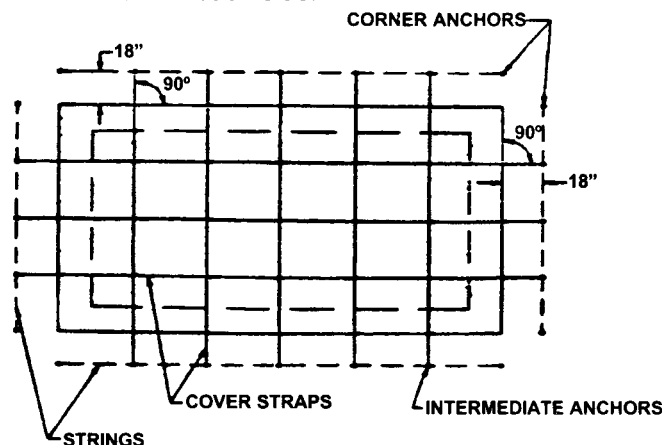


Fig. 2

## INSTALLING A FREEFORM COVER



### Step 1

Lay the cover across the pool and adjust the cover for equal overlap on all sides of the pool.

### Step 2

Using figure 3, locate cover straps 1 through 8.

### Step 3

Measure 18' or 20' from the edge of cover at strap locations 1 & 2 and insert anchors. Attach springs to cover straps 1 & 2 using spring installation tool, fasten springs to anchors. Springs should be compressed about 90%.

### Step 4

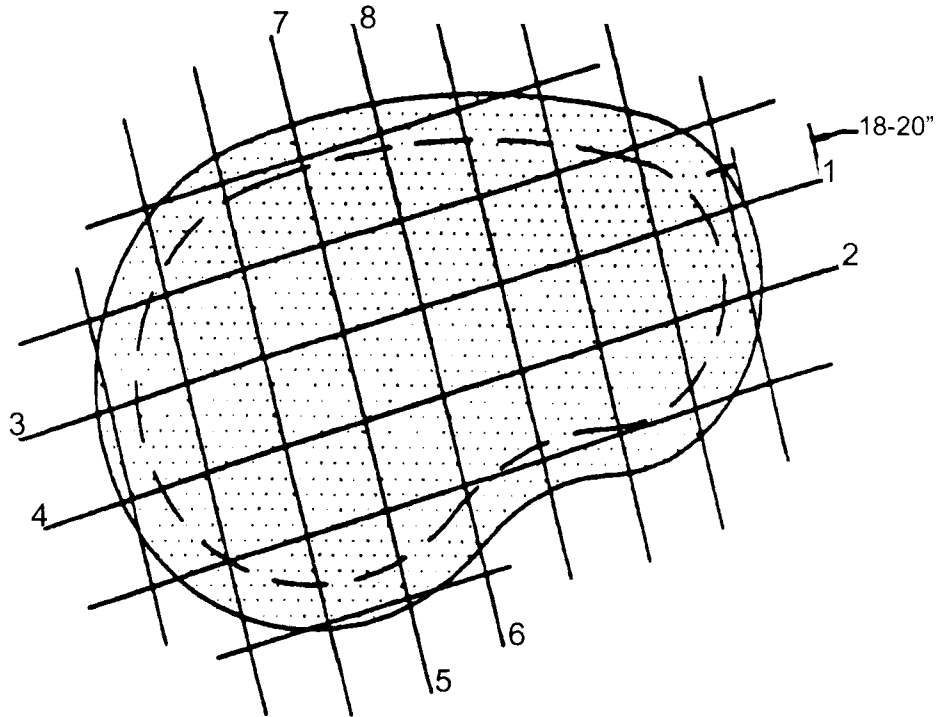
Measure 18' or 20' from the edge of cover at strap locations 3 & 4 and insert anchors. Attach springs to cover straps 3 & 4 using spring installation tool, fasten springs to anchors. Springs should be compressed about 90%.

### Step 5

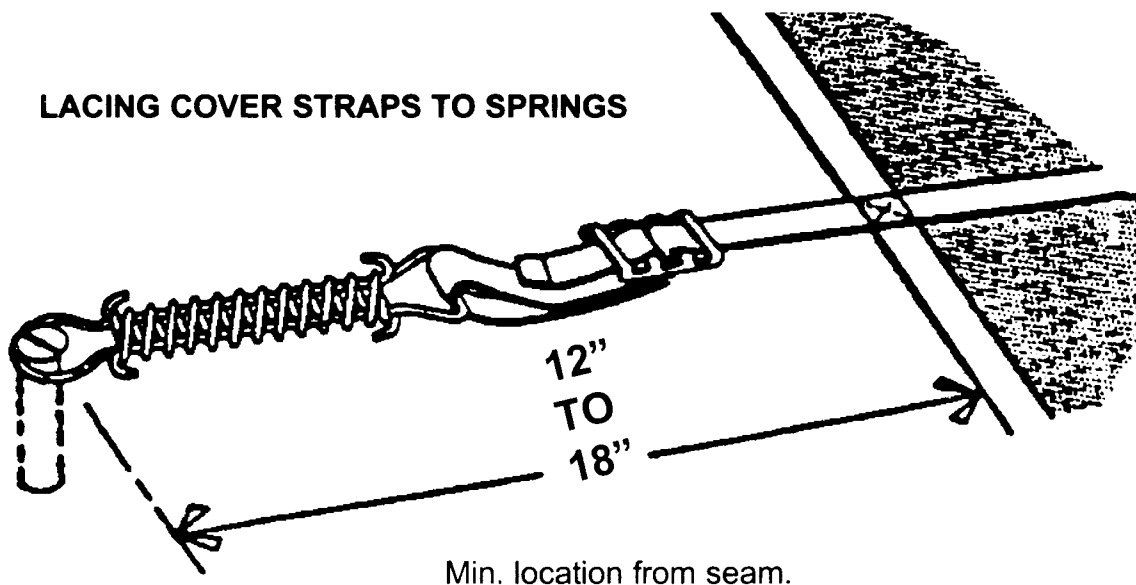
Repeat steps 3 & 4 for straps 5, 6, 7 and 8.

### Step 6

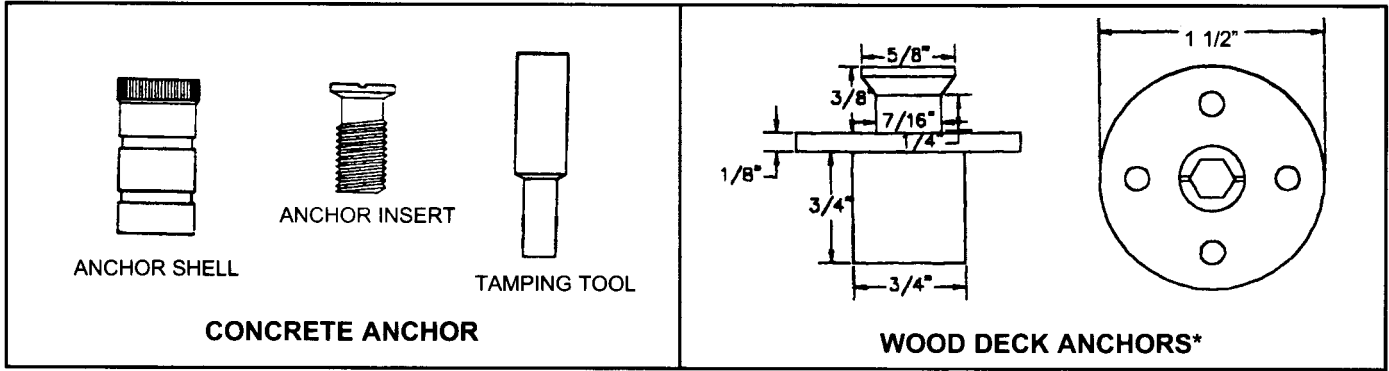
After you have installed anchors 1 through 8 and attached straps 1 through 8 to those anchors, locate and install the remaining anchors in an alternating pattern. Work outwards from the middle of the sides fastening each spring as individual anchors are installed.



### LACING COVER STRAPS TO SPRINGS



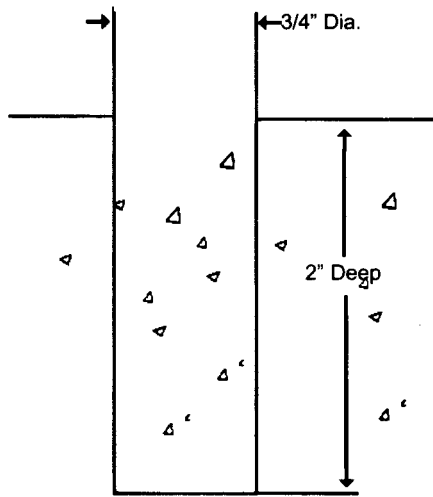
## INSTALLING ANCHORS



\*NOTE: Wood Anchors must be installed with 1 5/8" thick wood decking or greater.

### Step 1

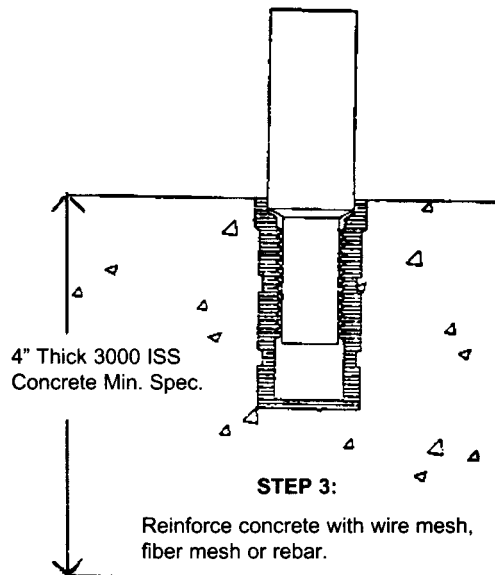
Drill 3/4" diameter x 2" hole.



STEP 1:

### Step 3

Insert anchor casing into hole and tamp down lightly with tamping tool.



STEP 3:

Reinforce concrete with wire mesh, fiber mesh or rebar.

**NOTE: Each time you raise or lower the anchor inserts you should flush out the anchor casing to remove grit. Then, spray both spaces with silicone. This helps to prevent difficulty when opening or closing your pool.**

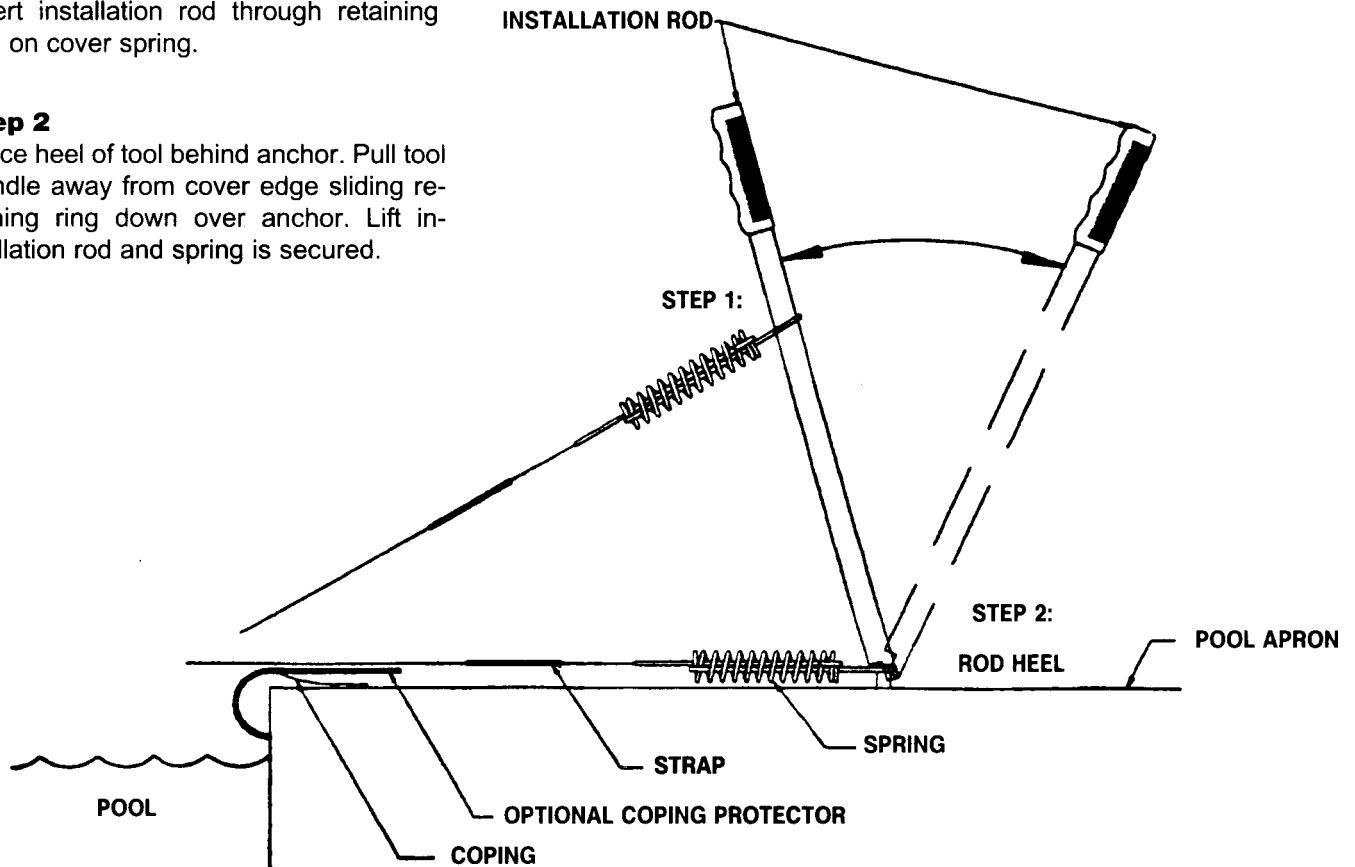
## TO INSTALL STRAP & SPRING ON ANCHOR

### Step 1

Insert installation rod through retaining ring on cover spring.

### Step 2

Place heel of tool behind anchor. Pull tool handle away from cover edge sliding retaining ring down over anchor. Lift installation rod and spring is secured.



## TO REMOVE STRAP & SPRING FROM ANCHOR

### Step 1

Insert installation rod over anchor with heel of tool facing the cover.

### Step 2

Press down on the retaining ring and rotate the tool 180° so that the heel of the tool is between the anchor and the retaining ring. Tilt the tool slightly toward the cover and the retaining ring will slip off the anchor.

### Notice to Installers:

**MESH COVERS must be installed as tight as possible to eliminate excessive wear caused by movement of the cover.**

**SOLID COVERS must be installed so that all water flows toward the drain.**

**This is accomplished by spring adjustment and tension around the perimeter of the cover.**

## Jersey Cover Corp.

1746 Lakewood Road, Toms River, NJ 08755  
Phone: 732-286-6300 • Fax: 732-341-1465  
Outside NJ Call 1-800-634-5467  
E-MAIL: [aquabrella@earthlink.net](mailto:aquabrella@earthlink.net)