



1746 LAKEWOOD ROAD
 TOMS RIVER, NJ 08755
 732-244-1444
 FAX: 732-341-1465
 OUTSIDE OF NEW JERSEY: 1-800-634-5467
 WWW.DOVERVINYL.COM

VINYL LINER
 QUOTE/ORDER FORM

DISTRIBUTOR NAME/LOCATION: _____
 DEALER NAME: _____
 PHONE: _____ FAX/E-MAIL: _____
 CUSTOMER NAME: _____ PO#: _____
 QUOTE ORDER

SHIPPING INSTRUCTIONS:
 SHIP PICK UP DROP SHIP
 SHIPPING ADDRESS: _____

LINER PATTERN

WALL MATERIAL: _____
 20 MIL 27 MIL

TYPE:

- HUNG
- OVERLAP OF _____ INCHES
- SAFETY LEDGE OF _____ INCHES

BEAD:

- DOVER BEAD KAYAK
- ESTHER WILLIAMS WILKES

POOL DIMENSIONS:

A _____ F _____ S1 _____
 A1 _____ G _____ S2 _____
 A2 _____ H _____ T _____
 B _____ H1 _____ U _____
 B1 _____ J _____ V1 _____
 B2 _____ M _____ V2 _____
 C _____ N _____ W1 _____
 C1 _____ Q _____ W2 _____
 C2 _____ R _____
 D _____ R1 _____
 E _____ R2 _____

FLOOR MATERIAL: _____
 20 MIL 27 MIL

CORNERS:

- SQUARE CORNERS
- RADIUS OF _____ IN.
- DIAGONAL OF _____ IN.

STEPS: (NOTE LOCATION OF STEP)

- NO STEP (INDICATE SEAM LOCATION)
- FIBERGLASS STEP
- VINYL COVERED STEP (INDICATE SEAM LOCATION)
 (FILL OUT STEP FORM)

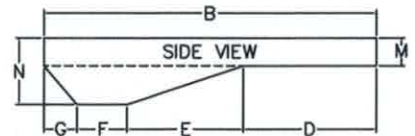
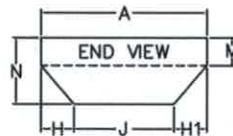
HOPPER SHAPE:

- SQUARE OVAL
- GRECIAN RADIUS _____ IN.

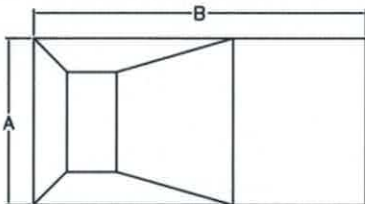
TRUE-L REVERSE CORNER:

- SQUARE RADIUS _____ IN.
- DIAGONAL _____ IN.

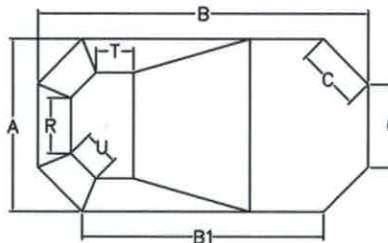
DIAG. 1 _____
 DIAG. 2 _____
 DIAG. 3 _____
 DIAG. 4 _____
 DIAG. 5 _____



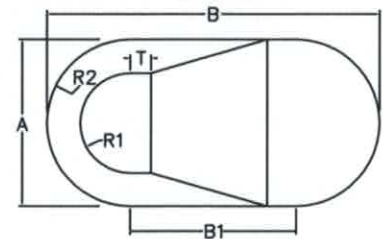
RECTANGLE



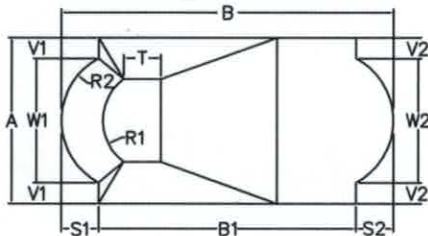
GRECIAN



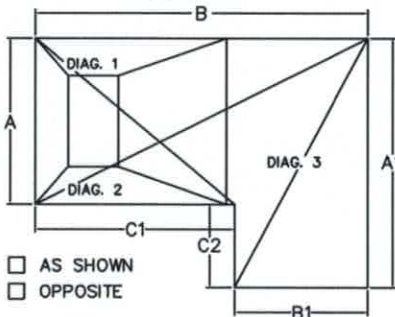
OVAL



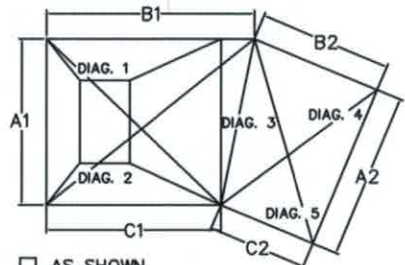
ROMAN



TRUE-L



LAZY-L



- AS SHOWN
- OPPOSITE

- AS SHOWN
- OPPOSITE



VINYL COVERED STEP FORM

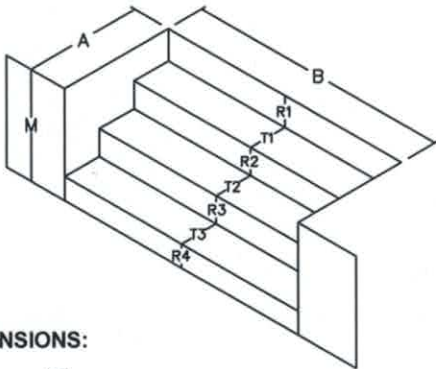
STEP PATTERN: SAME AS FLOOR TEXTURED NON-TEXTURED OTHER _____

STEP ATTACHMENT: ROD SLEEVES VINYL FLAPS BEAD TRACK

RECTANGLE STEP

STEP CORNERS:

- SQUARE
- RADIUS OF _____ INCHES
- DIAGONAL OF _____ INCHES



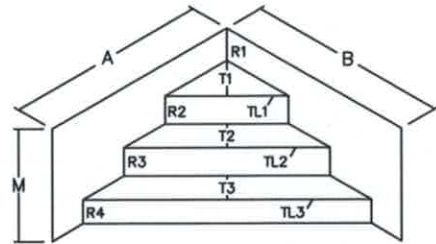
STEP DIMENSIONS:

A _____ R1 _____ T1 _____
 B _____ R2 _____ T2 _____
 M _____ R3 _____ T3 _____
 R4 _____

CORNER STEP

STEP CORNER:

- SQUARE
- RADIUS OF _____ INCHES
- DIAGONAL OF _____ INCHES



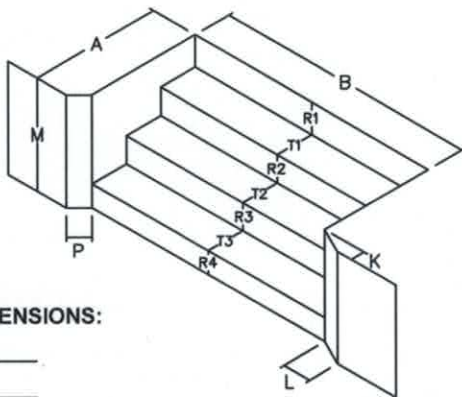
STEP DIMENSIONS:

A _____ R1 _____ T1 _____ TL1 _____
 B _____ R2 _____ T2 _____ TL2 _____
 M _____ R3 _____ T3 _____ TL3 _____
 R4 _____

RECESSED STEP

STEP CORNERS:

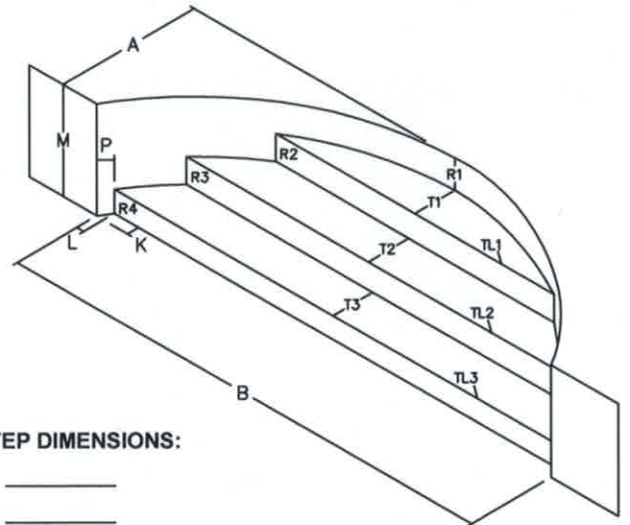
- SQUARE
- RADIUS OF _____ INCHES
- DIAGONAL OF _____ INCHES



STEP DIMENSIONS:

A _____
 B _____
 K _____ R1 _____
 L _____ R2 _____ T1 _____
 M _____ R3 _____ T2 _____
 P _____ R4 _____ T3 _____

RADIUS STEP



STEP DIMENSIONS:

A _____
 B _____
 K _____ R1 _____
 L _____ R2 _____ T1 _____ TL1 _____
 M _____ R3 _____ T2 _____ TL2 _____
 P _____ R4 _____ T3 _____ TL3 _____

FOR ANY OTHER TYPE OF STEP PLEASE PROVIDE A SEPARATE DRAWING.